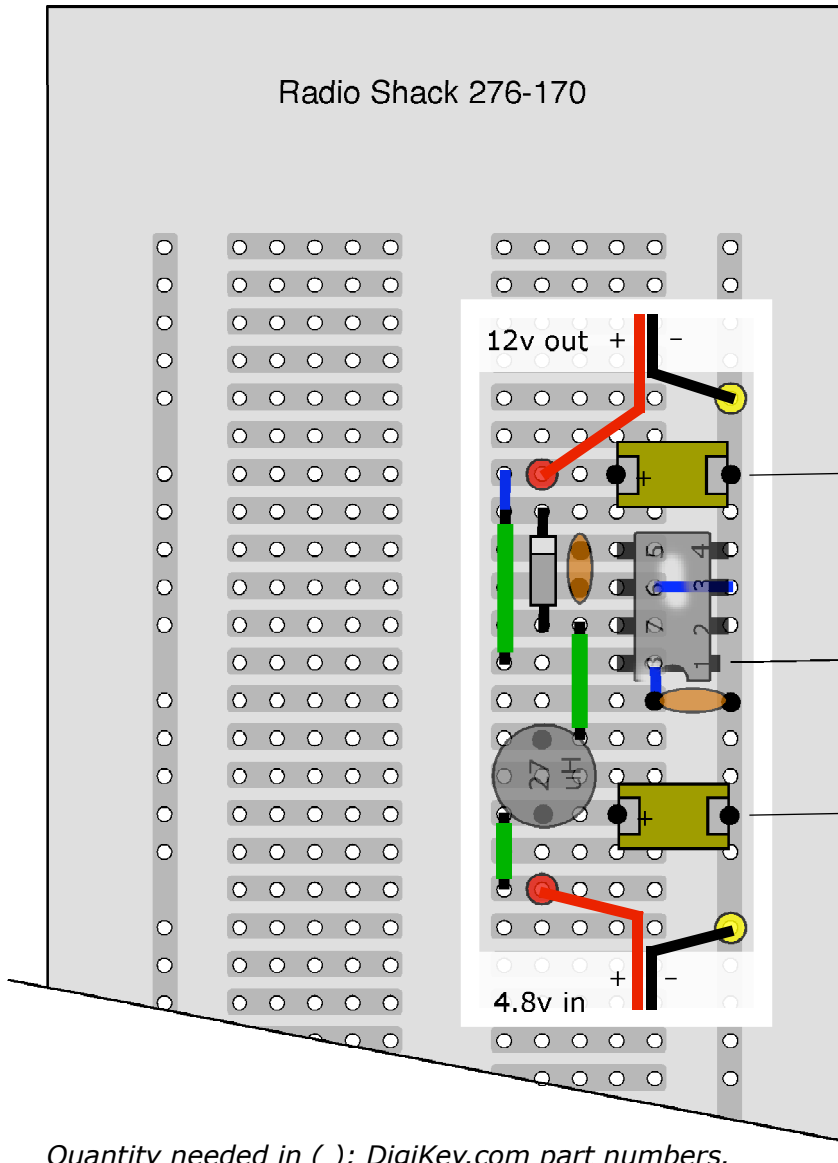


VOLTAGE CONVERTER 4.8v DC to 12v DC



adapted from a design
by Peter van Erkel by
Brooks Leffler

TOP VIEW

All components are installed
on top of board. Some components
are shown as transparent for clarity.
Cut board to size outlined in white
before assembly.

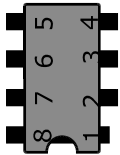
add bare connection
wire on each end of
capacitor

snip off pin 1

add bare connection
wire on each end of
capacitor

bgl • 2002

Quantity needed in (); DigiKey.com part numbers.



(1) Maxim 761CPA DC-DC Converter #MAX761CPA-ND



(2) Kemet Tantalum Capacitor, 16v 100uf #399-3770-1-ND



(1) Toko Inductor Coil, 27uH #TK5147-ND



(1) Schottky Barrier Rectifier Diode #1N5817DICT-ND



(2) Kemet Ceramic Capacitor, .1uf #399-4266-ND

● connection point for +

■ insulated jumper wire on top of board

● connection point for -

■ bare jumper wire on bottom of board